

BMW Smart Opener Driver

Brief instruction

Revision 3 02/2018



READ THIS INSTRUCTION CAREFULLY BEFORE YOU START!

It is strongly recommended to perform this installation by using services of installer with appropriate knowledge and experience in automotive electronics. Installation should be performed with disconnected battery due to safety reasons.

2018

www.customretrofit.ro

Table of contents

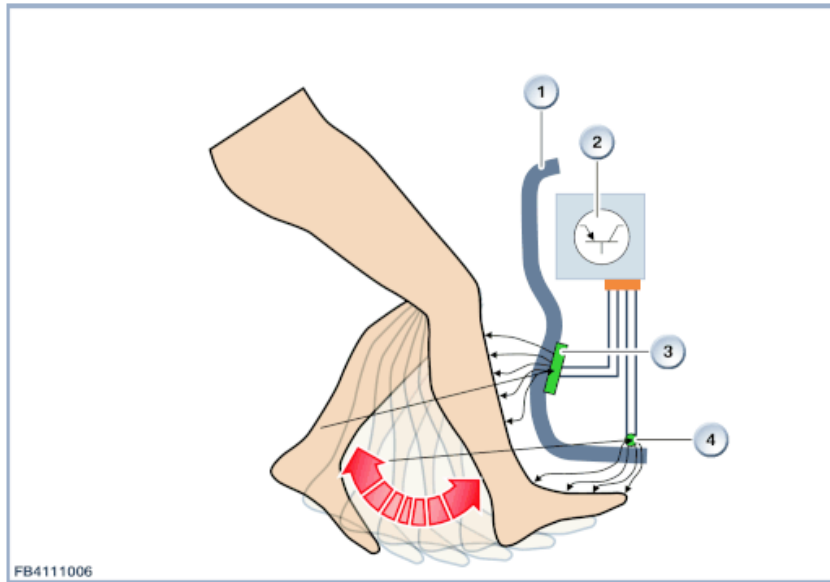
Designation	3
Troubleshooting	4
Appendix A [Schematic diagram]	5

Designation

BMW Smart Opener Driver is designed to allow you to install BMW Smart Opener in any vehicle equipped with automatic trunk/tailgate electrical lift lid.

Targeted foot movement

For correct functioning, the foot must be inserted under the centre of the bumper and then withdrawn immediately.



Index	Explanation	Index	Explanation
1	Bumper	2	Evaluation electronics for contact-free tailgate opening
3	Top sensor	4	Bottom sensor

The function is not carried out correctly under the following conditions:

- Foot movement outside the measuring range of the sensors (i.e. not in the centre of the bumper)
- Foot movement across the vehicle (weaving movement)
- Bumper is touched during the foot movement
- Foot left under the bumper for too long
- Foot not extended far enough under the bumper

Figure 1



Necessary components for Smart Opener installation (those components are not supplied with Smart Opener Driver and **must be purchased separately**):

BMW Smart Opener ECU **61357306797**

Smart Opener Upper Antenna **61357273666**

Smart Opener Lower Antenna **61357273667**

Troubleshooting

It is necessary to install antennas correctly, as shown on Figure 1.

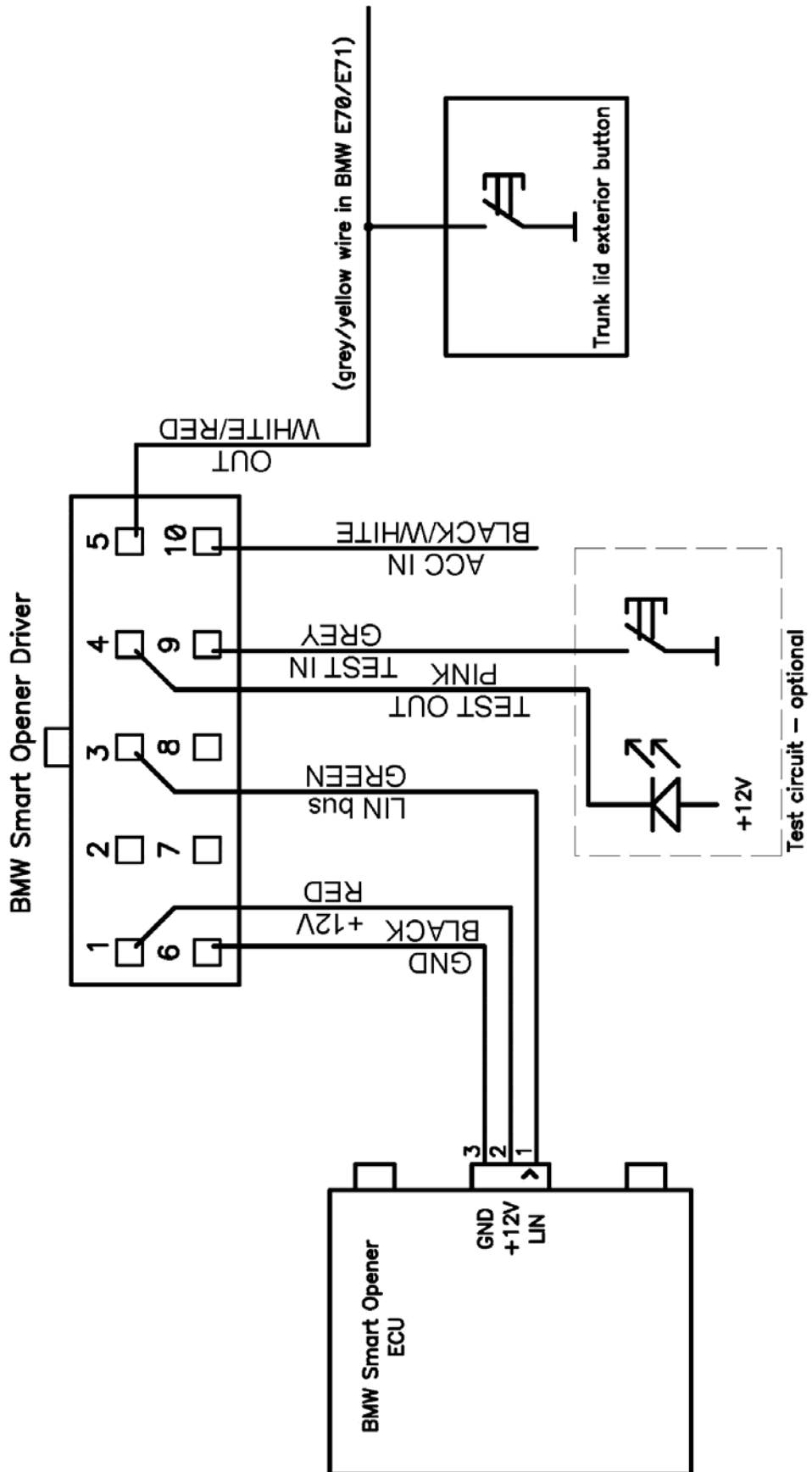
There is test input and test output on Smart Opener Driver for checking the wiring. We recommend temporary connect test button and LED as it shown on diagram in Appendix A. LED blinking will indicate Smart Opener Driver state (description in Table 1). Pressing of the button will activate output switch.

Table 1

Smart Opener State	Test LED
not powered	off
no connection with BMW Smart Opener	1 short blink
ready to use	2 short blinks
ACC on – output is blocked	3 short blinks
Test button is pressed	constant blinking
ON signal from BMW Smart Opener received	on

Appendix A

Schematic diagram



* ACC IN – Ignition or accessory signal input for movement recognise inhibition.

